

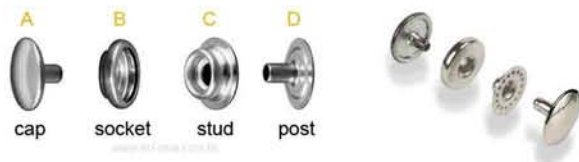
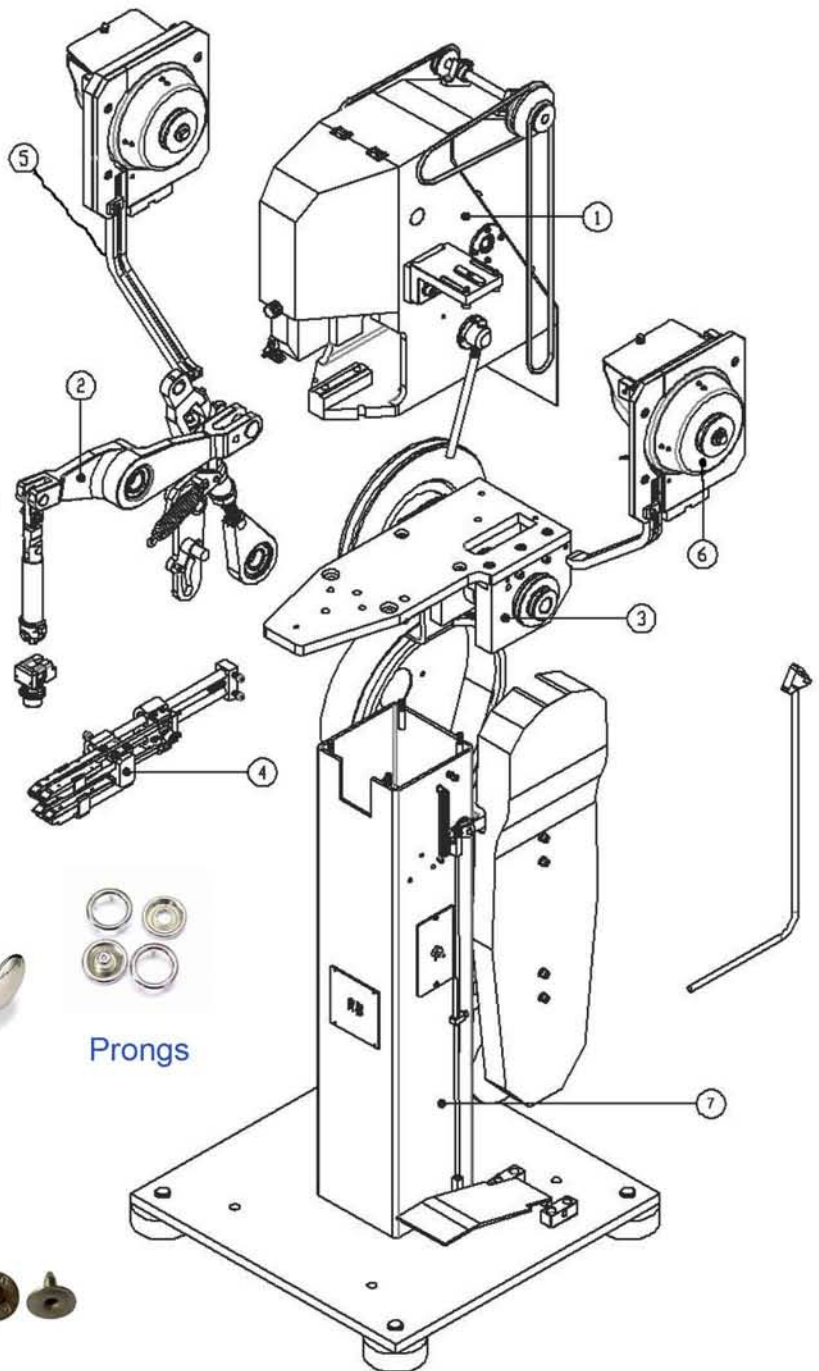
# Fully automatic snap attaching machine



## FT-400 PARTS DESCRIPTION

1. Housing parts
2. Transmission parts
3. Central axis part
4. Pushing parts
5. Snap feeder
6. Snap hopper & turning wheel
7. Machine chassis

**NOTE:** Typically **two** machines are required to complete a full set of press fastener (see below A / B / C / D). One machine is for attaching Part 1 (**Cap & Socket**) and another machine is for Part 2 (**Stud & Post**). Only one fixed size of snap can be attached. Using other types or sizes of snap will cause machine malfunctioning and machine will not work properly.



Press fasteners



Prongs

Below buttons require **one** machine only:



Eyelets

Shanks

Rivets