

QMAX

新款全自动高速打扣机 Automatic Snap Attaching Machine

FT-300



《用途》

APPLICATIONS

婴儿服装、外套衫裤、运动服、塑料袋、雨衣等
Babywear, outerwear, sportswear, vinyl bag, raincoat, etc.

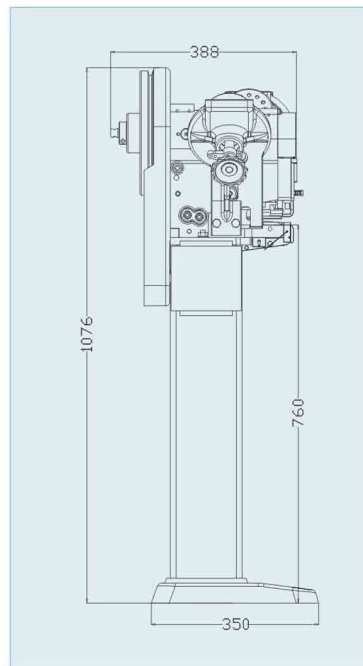
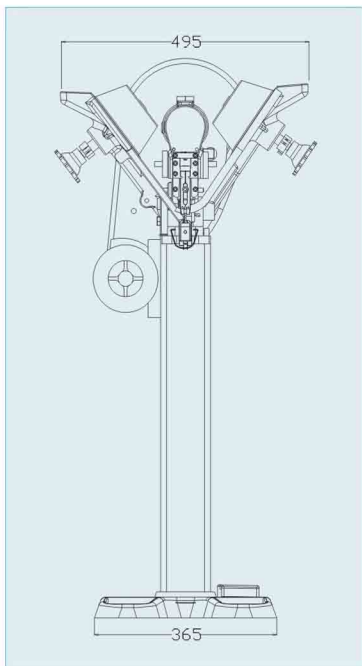


FT-300

新款全自动高速打扣机 Automatic Snap Attaching Machine

FT-300 全自动打扣机是花巨资从日本引进最先进的技术研发生产的成果。主要配件全部从日本进口，因此质量性能绝对有保证。这款打扣机是适用于各类型塑胶或金属**急钮**、**工字钮**、**五爪钮扣**、**铆钉**等。这款自动打扣机绝对满足全球打钮扣工业的标准，保证用得安心。

FT-300 fully automatic snap fastening machine is highly engineered with imported state-of-the-art technology from Japan. All major parts are imported from Japan. Thus, quality performance is guaranteed. This snap attaching machine is customized to fit for **snaps, shanks, prongs and rivets**. This automatic machine certainly meets the global industry standard in snap attaching with a peace of mind.



規 格 SPECIFICATION

转速 RATE OF ROTATION:	1410 r.p.m
马力 POWER	0.25KW(1/3HP) 110-220 VAC 50/60Hz
马达型号 MOTOR MODEL	HITACHI 日立 EFOU-KT
机器重量 NET WEIGHT	60.5Kg(1台) (PER UNIT)
体积 VOLUME	1.5cbm (2台) (PER TWO UNITS)

用 途 APPLICATIONS

"QMAX" is a trademark registered and solely distributed by HCL Asia Ltd unless with its authorization.



HCL Asia Limited | Unit 14, 6/F, Worldwide Industrial Centre, 43-47 Shan Mei Street, Fotan, Shatin, Hong Kong
Tel: +852 27420018 | Fax: +852 27420053 | e-mail: info@hcl-asia.com.hk

www.hcl-asia.com.hk