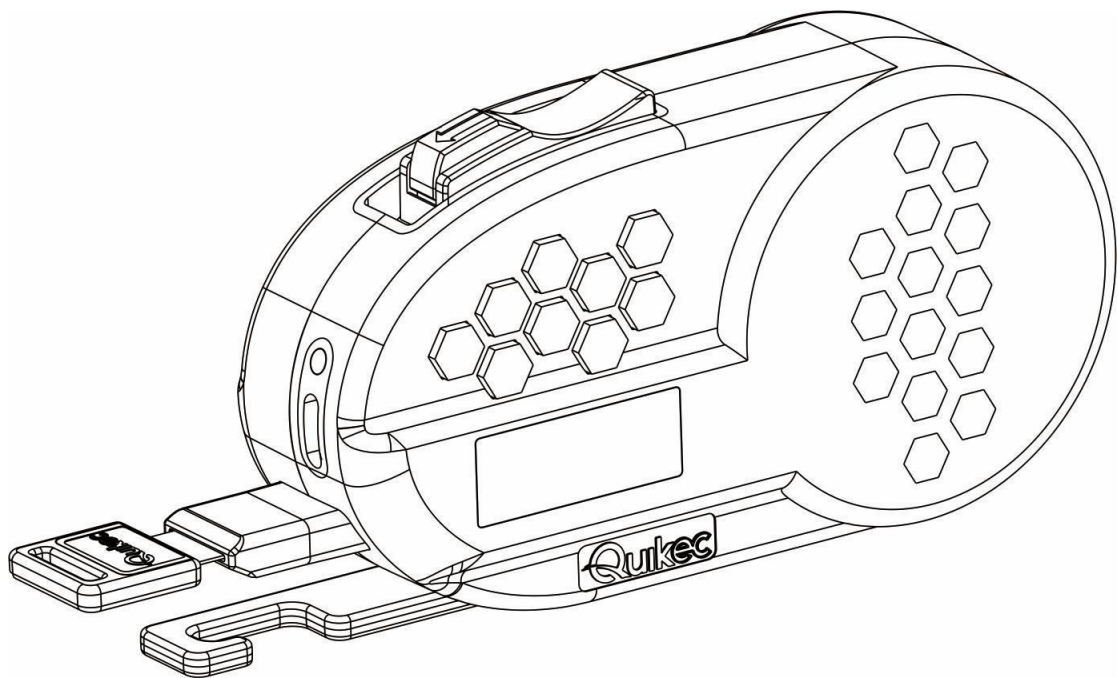




QuikMeasure R401



Smart Electronic Tape

智能電子軟尺

Distributed By:



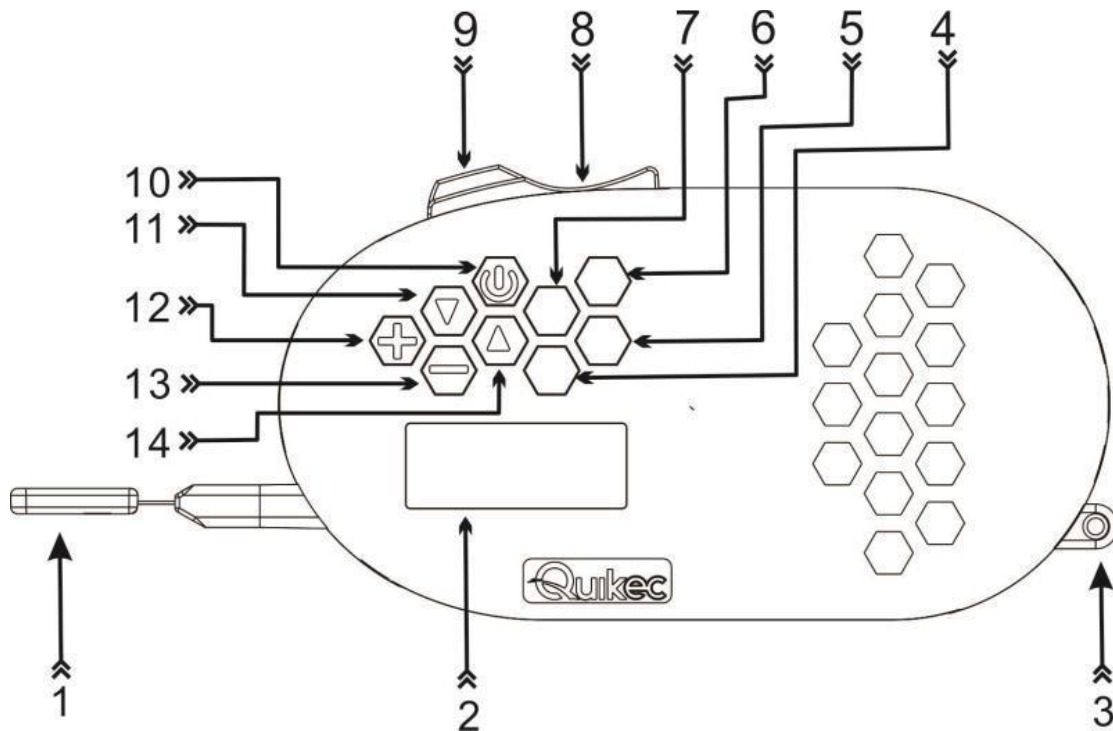
HCL Asia Ltd.

Unit 14, 6/F., Worldwide Industrial Centre,
43-47 Shan Mei Street, Fotan, Shatin, Hong Kong

T: +852 27420018 F: +852 27420053

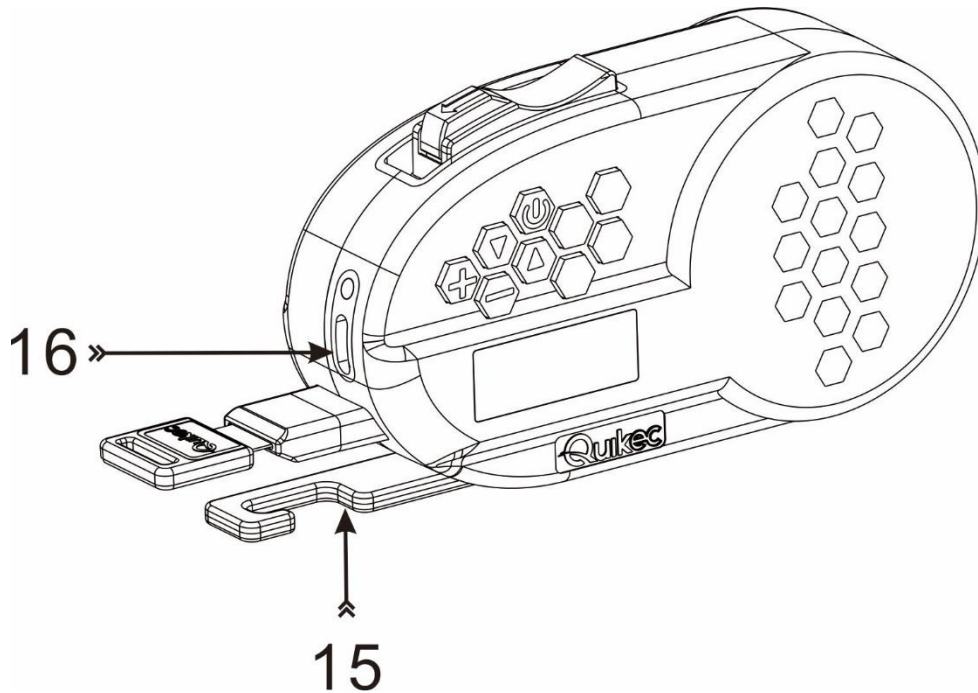
info@hcl-asia.com.hk

www.hcl-asia.com.hk



1	Plastic cap for the tape	膠拉尺頭
2	LCD display	液晶顯示屏
3	Eyelet	穿繩孔位
4	Yellow – Customizable by user*	黃 – 用戶設定*
5	Green – Measure Unit switch: inch / cm	綠 – 測量單位轉換 英寸 / 厘米
6	Blue – M+ Add the current value to the stored value in the memory register until click “confirm”. And the value will be cleaned	藍 – M+：記憶當前數字，「加入」累加數字當中，直到按 “確定” 傳送到後會清除
7	Red – Customizable by user*	紅 – 用戶設定*
8	Lock (Stop tape retracted)	防回彈鎖 (停止拉尺回彈)
9	Confirm (Single click)	確定 (單擊)
	Cancel (Double click)	取消 (雙擊)
10	Switch on / off (press & hold 3 seconds)	開/關 (需按著三秒)
11	Move Down (Single click)	下 (單擊)
	Move Right (Double click)	右 (雙擊)
12	Plus	Tab
13	Minus	Shift Tab
14	Move Up (Single click)	上 (單擊)
	Move Left (Double click)	左 (雙擊)

*User can setup required function for the buttons through Quikec Mobile Apps
 *用戶可按需要在 Quikec 平版軟件內自行設定



15	Plastic hook (for measuring Stretchy fabric and elastic band)	膠鉤 (拉度有彈性的布料及彈性帶)
16	USB Type-C Charger port	USB Type C 充電插口

膠鉤開關操作

