

QMAX

Handheld Detector

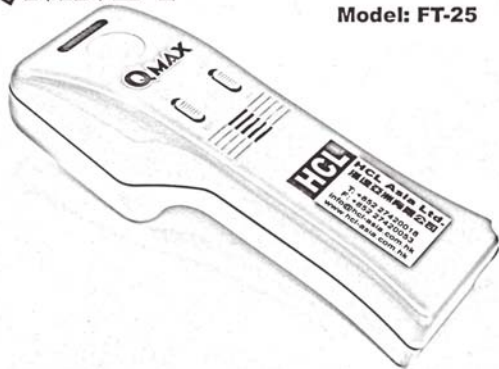
Model: FT-25

INSTRUCTION MANUAL

QMAX

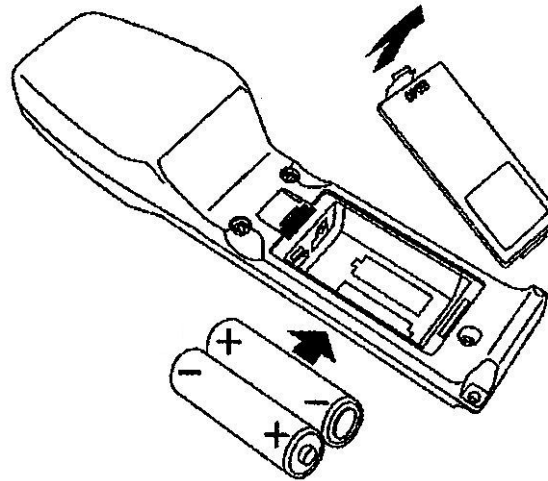
Handheld Detector

Model: FT-25

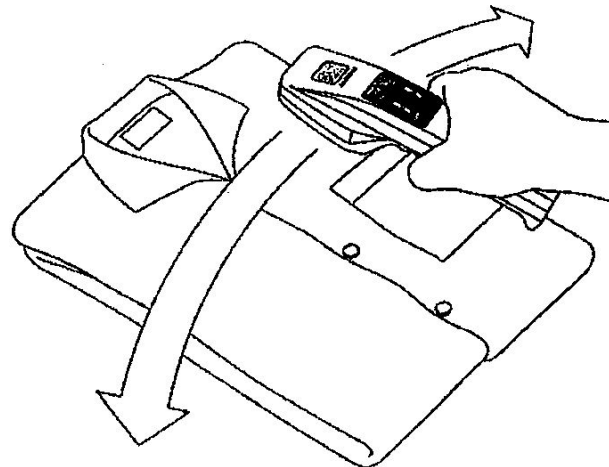


How to use:

1. Install the battery before use. See below picture:



2. Switch ON the power.
3. Set sensitivity to Hi for narrower detective area or Lo for wider detective area
4. Move the handheld device over the detective surface as shown in the picture below.



Attention:

- This handheld detector is designed to detect ferrous metals. For instance, iron, needles, pin, etc. Other non-ferrous metals such as stainless steel, aluminum, bronze are not to be detected.
- Detection ability decreases while the distance between the detection surface and the ferrous metal increases.
- Data will be lost accidentally in case the detection surface of this handheld detector is in direct contact with telephone card, ATM card, wrist watch, etc.

Specification:

Model:	FT-25
Detection method:	Magnetic induction
Detection sensitivity:	Lo: 20-30mm Hi: 30-40mm
Detection adjustment:	Lo-Hi 2 steps
Detection surface:	25 x 50 (W x D) mm
Alarm method:	Buzzer, Lamp
Power source:	1.5V battery x 2 (AA)
Size (mm):	160 L x 55 W x 45 H
Weight :	Approx. 200g

 漢達亞洲有限公司
HCL Asia Limited
香港沙田火炭山尾街43-47號環球工業中心6樓14室
T: +852 27420018 F: +852 27420053
E: info@hcl-asia.com.hk
www.hcl-asia.com.hk

© 2006-2008 HCL Asia Ltd. All rights reserved.