

拆箱視頻連結 Unboxing video link:

<https://www.youtube.com/watch?v=qD44W5lYuG8&t=37s>



unbox video

QMAX

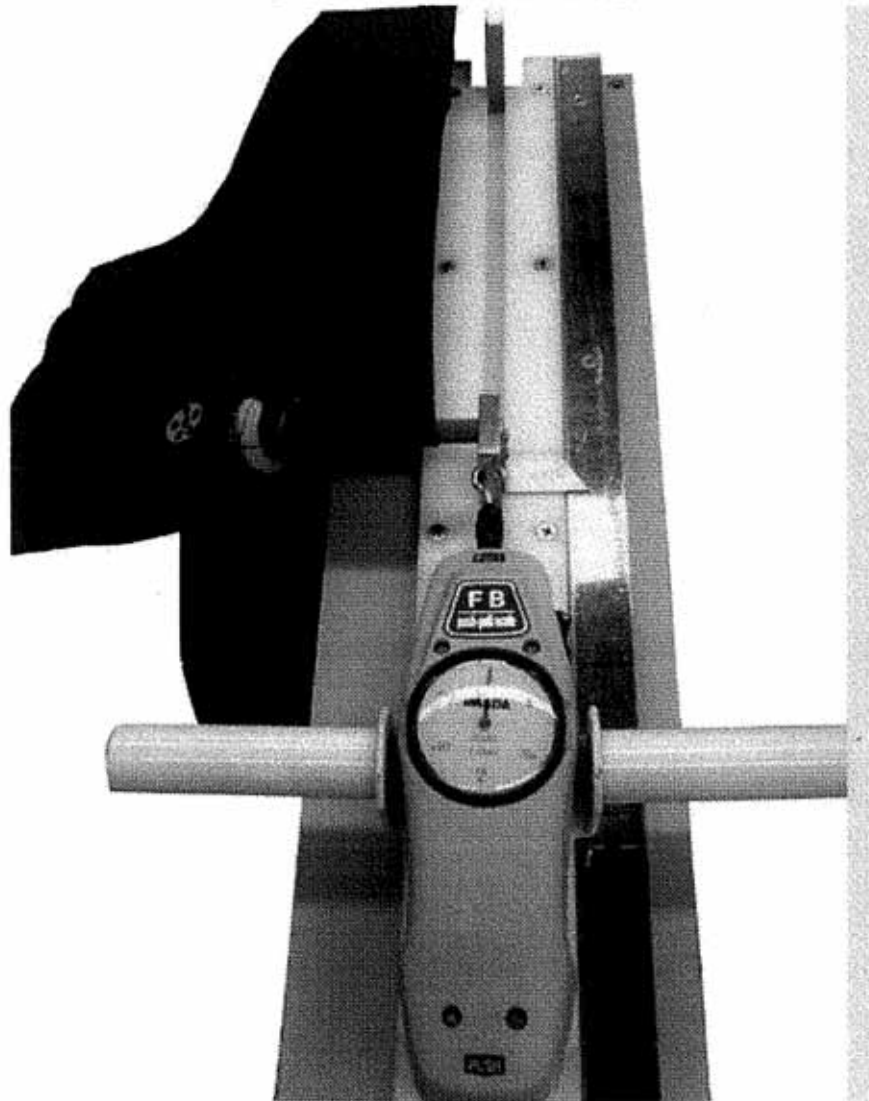
Fabric Stretch Tester

布料抗拉力測試儀

model: **SP23**

使用說明書

USER'S MANUAL



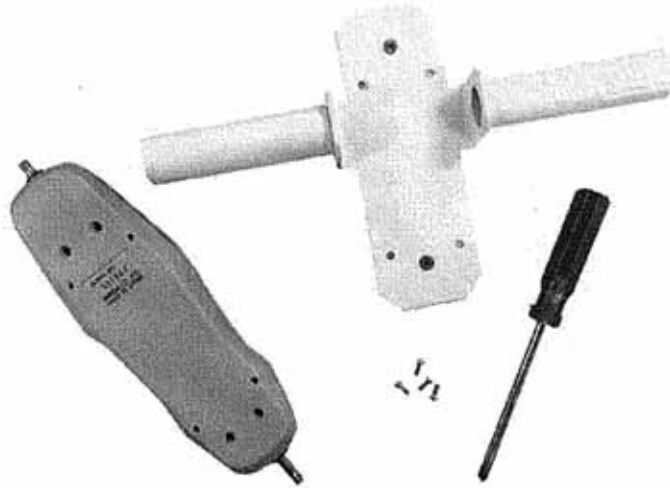
HCL Asia Limited | 漢達亞洲有限公司 | 香港沙田火炭山尾街43-47號環球工業中心6樓14室

Tel: +852 27420018 | Fax: +852 27420053 | e-mail: info@hcl-asia.com.hk

www.hcl-asia.com.hk

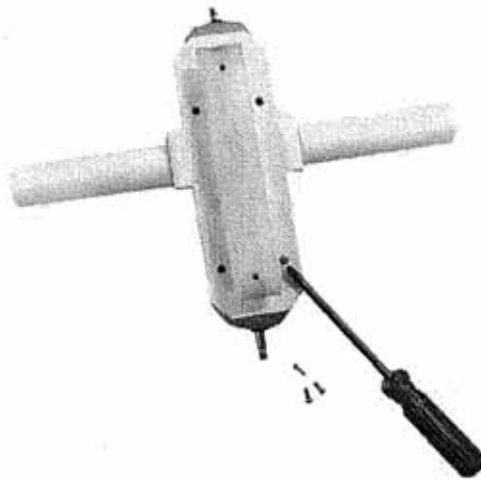
安裝說明

THE INSTALLATION GUIDE



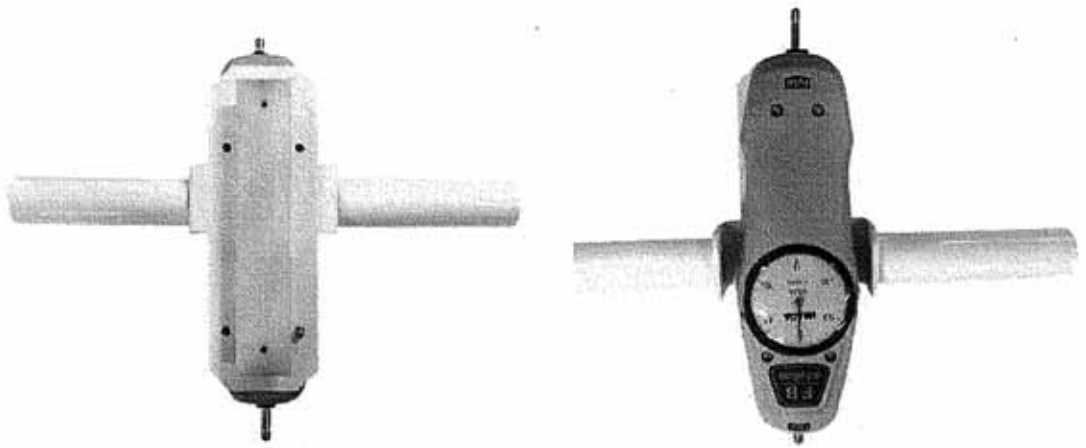
准备螺丝、测力计的滑块安装。

Prepare the screws, force gauge and the slider for installation.



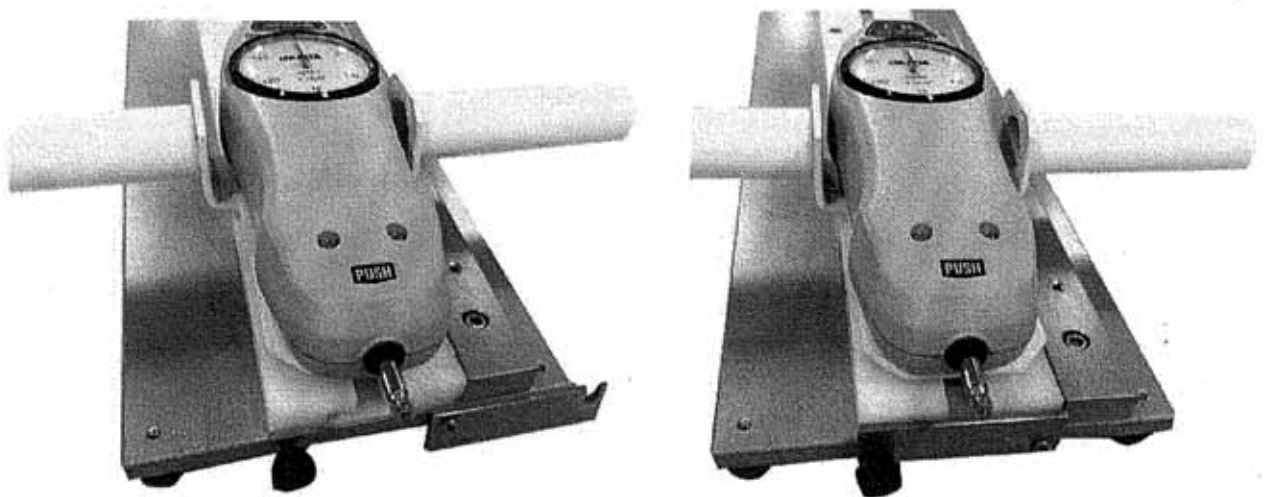
弹力计安装到相应的滑块，锁螺丝。

Install the force gauge to the slider by the screws accordingly.



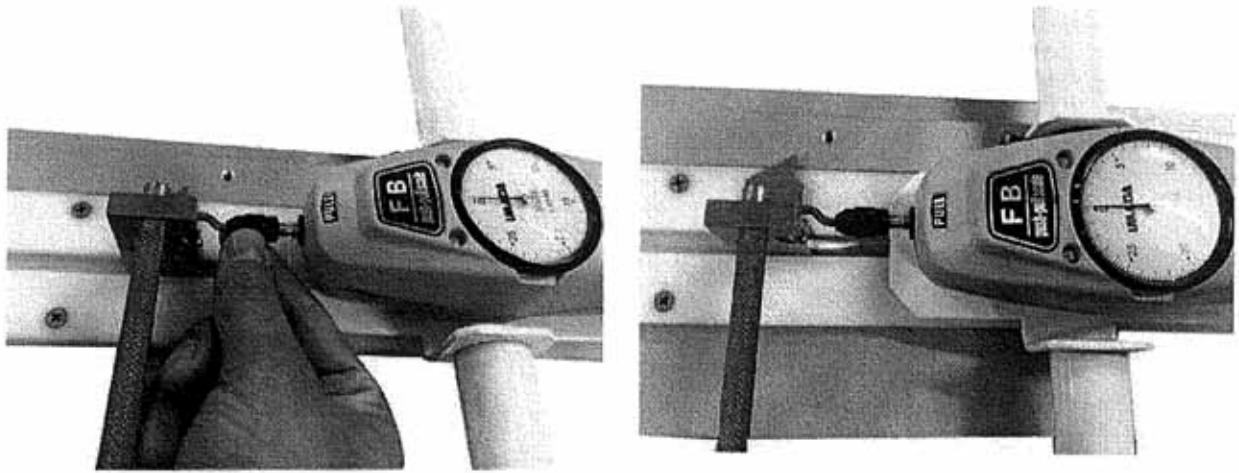
弹力测试计成功安装到滑块上。

The force gauge is installed into the slider successfully.



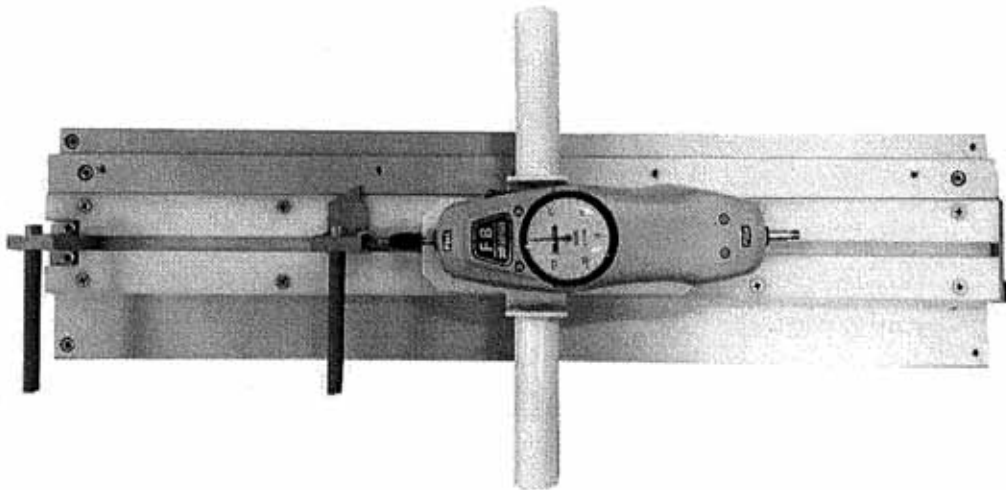
安装好测试计，锁上夹具。

Install the gauge into the fixture and lock up.



把勾勾到滑块，调试弹力计位置测试。

Place the hook into the slider first and then adapt to the force gauge.



安装完成

Installation is finished.