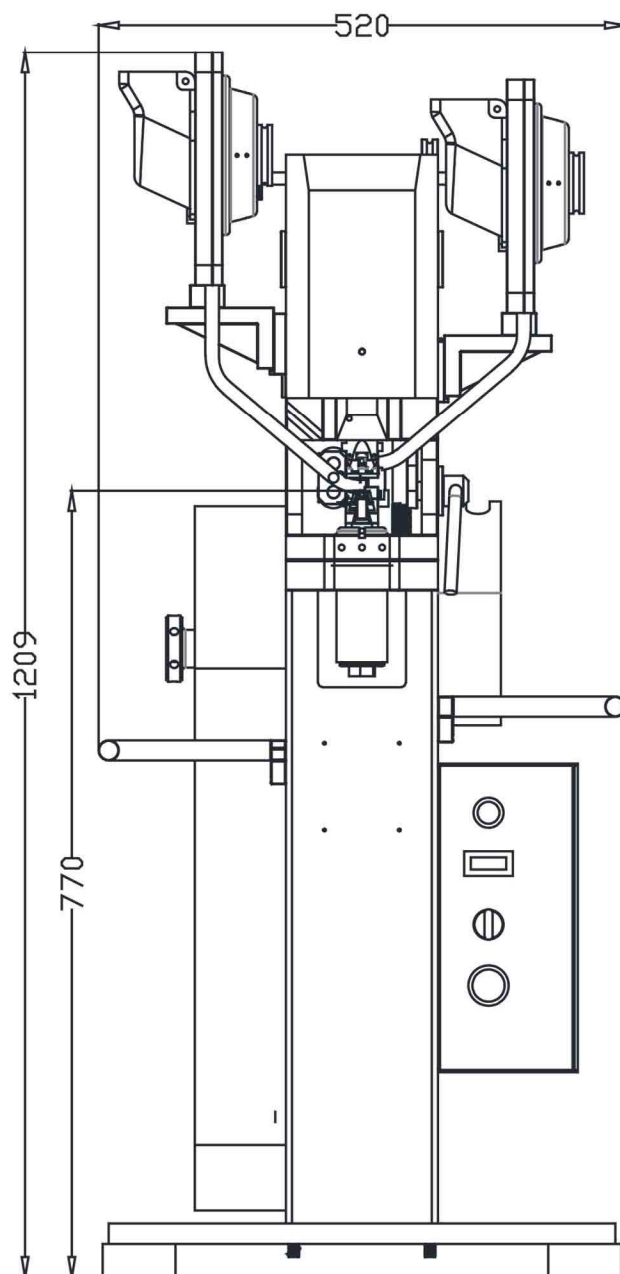
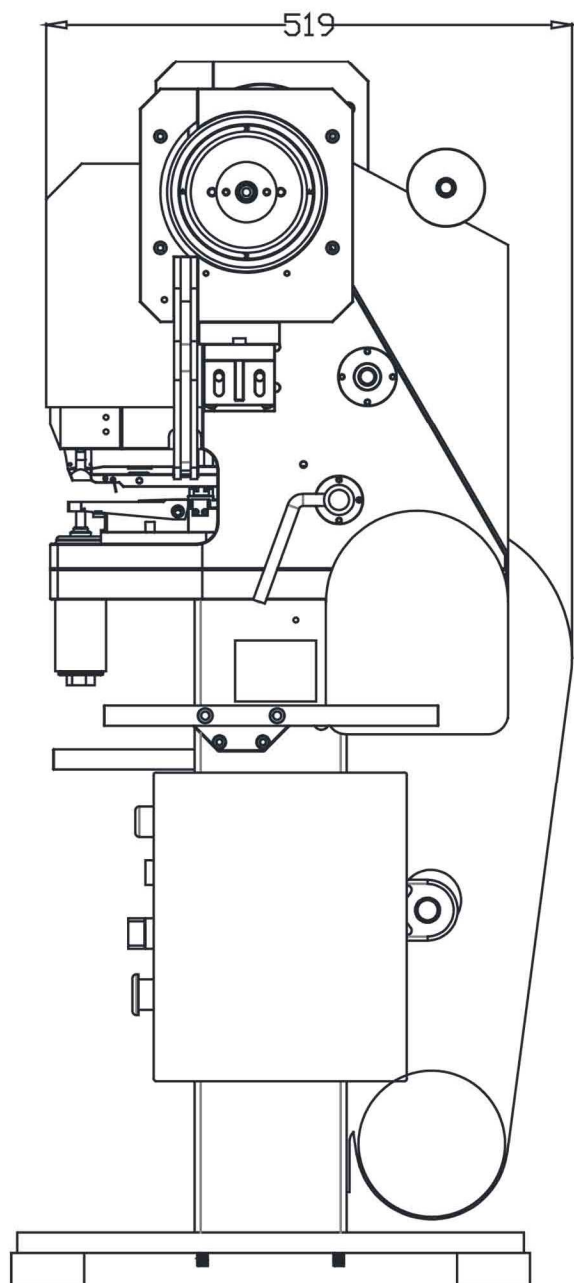


FT-400C



Machine Drawing

Snap Fastening Machine



Rate of rotation: 1410 rpm
Motor: HITACHI AC motor
Machine dimensions (mm): 520 W x 519 L x 1209 H
Weight: 160 kg
Voltage: 220V/100V AC

HCL ASIA LIMITED
www.hcl-asia.com.hk

Ref: 20170628