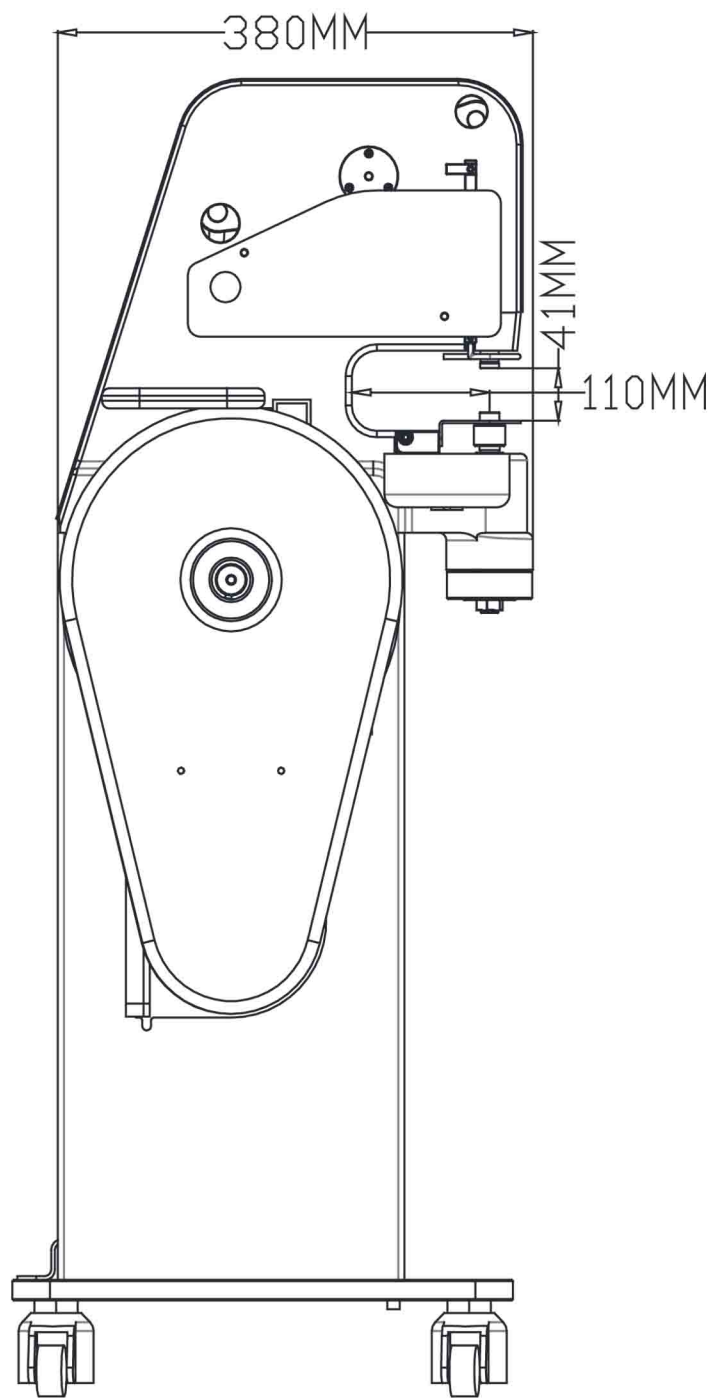
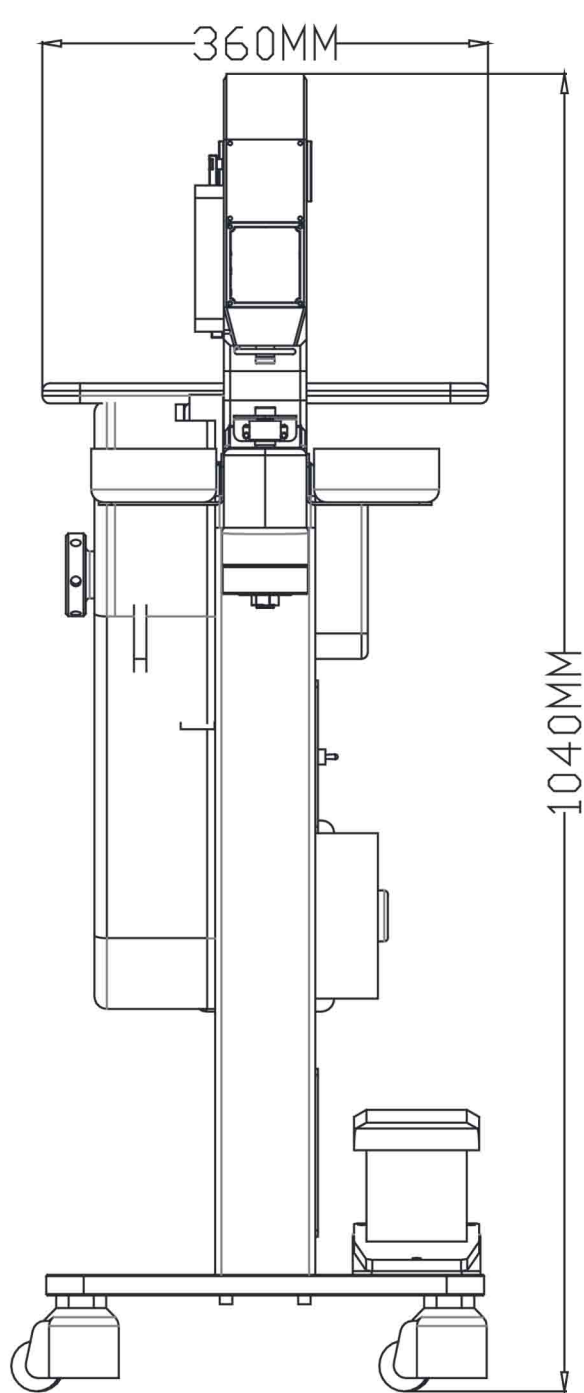


FT-180

整机尺寸 Machine Drawing



整机尺寸: 360X380X1040
重量: 77KG
电机功率: 200W
电压: 220V/110V 交流单向
包装尺寸: 890X510X1150/2台 510x510x1150/1台

Machine dimension (mm): 360 W x 380 L x 1040 H
Weight: 77 kg
Rated output: 200 W
Voltage: 220 V / 110 V
Packing dimension (mm): 890 x 510 x 1150 / 2 units
510 x 510 x 1150 / 1 unit