

FT-600

Automatic Snap Fastening Machine

with finger protection

Servomotor making
the machine **ultra
quiet**



suitable for:



rivets



prongs



plastic snaps



press snaps

← caster wheels

Specifications:

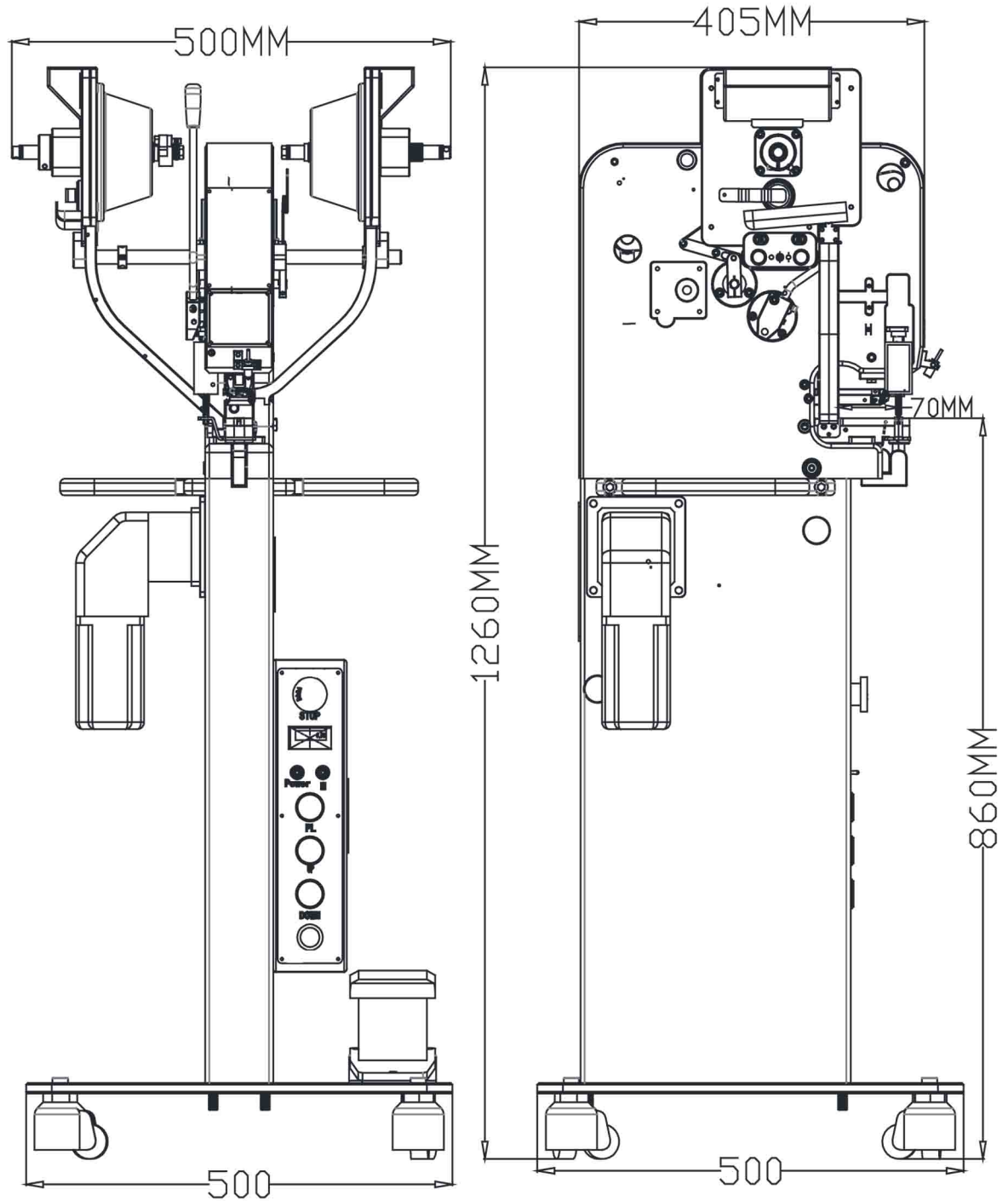
Motor type: Servomotor

Machine dimensions (mm):
500 w x 405 L x 1260 H

Weight: 102kg

FT-600

整机尺寸 Machine Drawing



整机尺寸: 500X405X1260
重 量: 102KG
电机功率: 750W伺服
电 压: 220V 交流单向
包装尺寸: 1300 x 700 x 1500 / 2 台

Machine dimension (mm): 500 W x 405 L x 1260 H
Weight: 102 kg
Rated output: 750 W SERVOMOTOR
Voltage: 220 V AC
Packing dimension (mm): 1300 x 700 x 1500 / 2 units